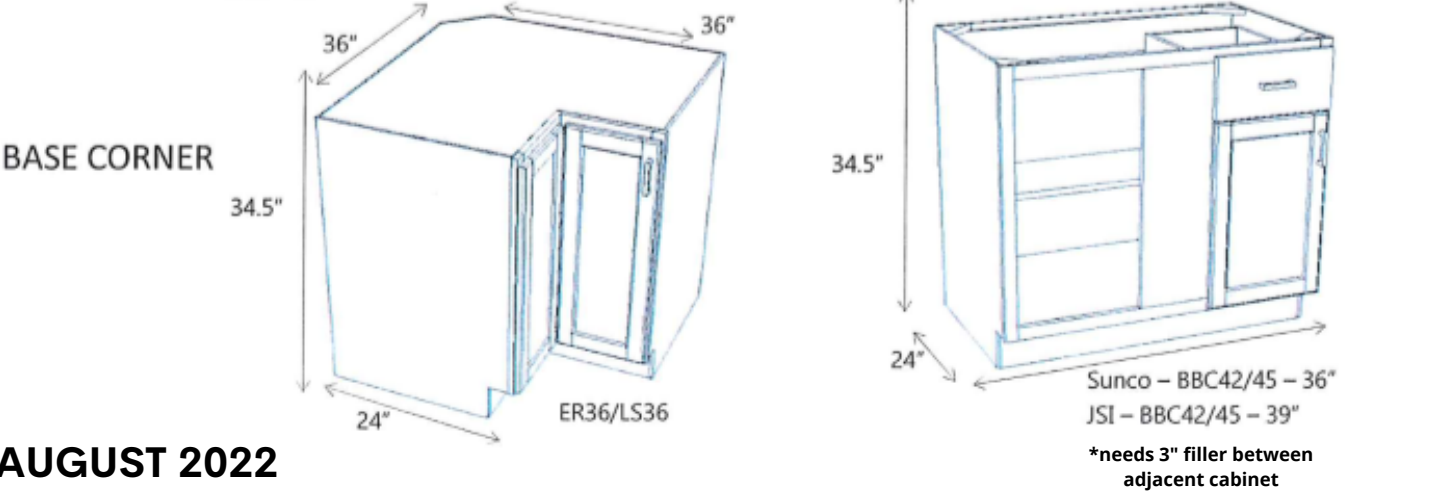
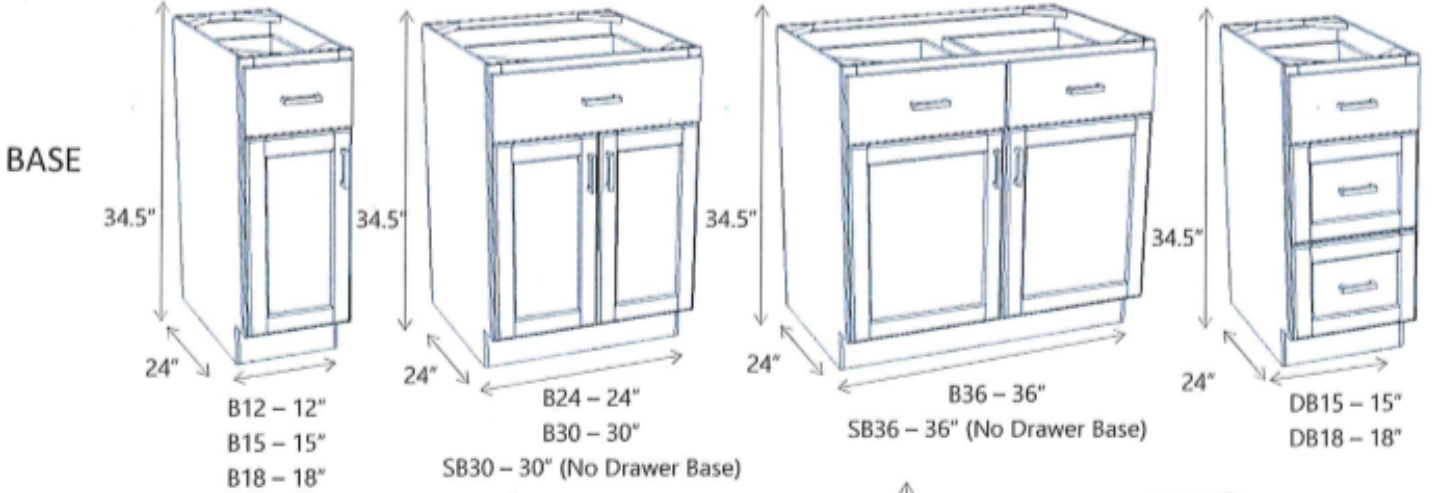
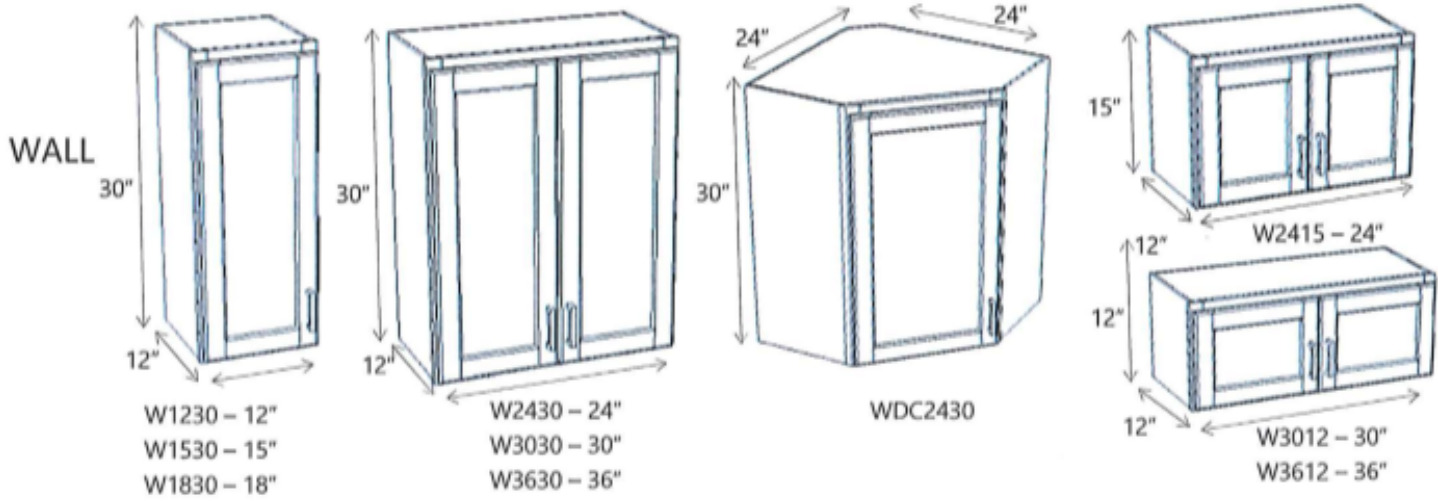
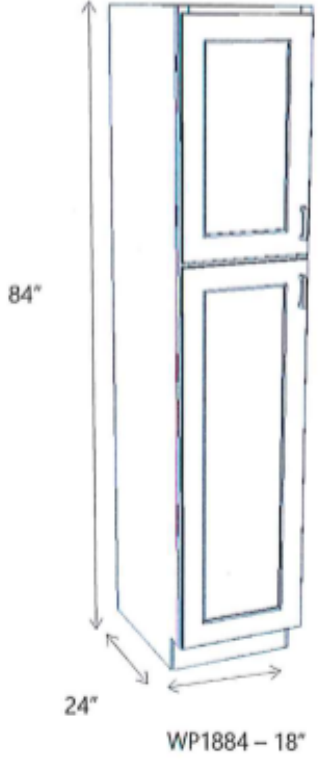


IN STOCK READY TO ASSEMBLE CABINETRY DIMENSIONS

PRICES SUBJECT TO CHANGE



PANTRY



NEED HELP?
ASK ABOUT
OUR DESIGN
SERVICE



21 BAKERY LANE, PEMBROKE HM07, BERMUDA
EMAIL info@ges.bm OR CALL 295-6697
www.bermudakitchenbath.com

NEED HELP? ASK ABOUT OUR DESIGN SERVICE!

IN STOCK READY TO ASSEMBLE CABINETRY PRICES

PRICES SUBJECT TO CHANGE

AUGUST 2022

KEY

CM8= CROWN MOLDING 8'

OCM8 = OUTSIDE CORNER MOLDING 8'

TF384/TF396 = FILLER STRIP 3"x96" or 84"

FS330 = FILLER STRIP 3"x30"

FS630 = FILLER STRIP 6"x30"

TK8 = TOE KICK 8'

FEP84 = FRIDGE END PANEL 84"

FP4896 = FINISH PANEL 48"x96"

BEP3 = BASE END PANEL 3"

TUK = TOUCH UP KIT

	SIZE	TUSCANY	FASHION	DOVER	CASTLE	NORWICH
		TOFFEE	GRAY	WHITE	GRAY	GRAY
Wall Cabinets	W0930	\$165	\$200	N/A	N/A	N/A
	W1230	\$175	\$220	\$320	\$320	\$320
	W1530	\$220	\$275	\$370	\$370	\$370
	W1830	\$230	\$290	\$415	\$415	\$415
	W2430	\$305	\$385	\$545	\$545	\$545
	W3030	\$375	\$470	\$640	\$640	\$640
	W3630	\$390	\$490	\$735	\$735	\$735
	WDC2430	\$410	\$515	\$725	\$725	\$725
	W3012	\$210	\$265	\$330	\$330	\$330
	W3612	\$230	\$290	\$370	\$370	\$370
	W2415	\$215	\$270	\$305	\$305	\$305
	Base Cabinets	B09	\$260	\$325	N/A	N/A
B12		\$340	\$425	\$585	\$585	\$585
B15		\$370	\$465	\$630	\$630	\$630
B18		\$390	\$490	\$675	\$675	\$675
B24		\$470	\$580	\$820	\$820	\$820
B30		\$525	\$660	\$925	\$925	\$925
B36		\$610	\$765	\$1,130	\$1,130	\$1,130
SB30		\$375	\$470	\$660	\$660	\$660
SB36		\$385	\$485	\$695	\$695	\$695
DB15		\$500	\$625	\$1,060	\$1,060	\$1,060
DB18		\$510	\$640	\$1,115	\$1,115	\$1,115
BBC42/45		\$425	\$535	\$1,005	\$1,005	\$1,005
ER3612/LS36		\$600	\$750	\$1,285	\$1,285	\$1,285
WP1884		\$850	\$1,065	\$1,390	\$1,390	\$1,390
Fillers/Panels		CM8-S/FSHM8	\$150	\$190	\$160	\$160
	OCM8/OM8	\$75	\$95	\$100	\$100	\$100
	TF384/TF396	\$115	\$115	\$150	\$150	\$150
	FS330/WF330	\$45	\$60	\$55	\$55	\$55
	FS630/WF630	\$75	\$95	\$90	\$90	\$90
	TK8	\$60	\$75	\$70	\$70	\$70
	FEP84/REF84	\$260	\$325	\$520	\$520	\$520
	FP4896/PQTR/4X4X	\$200	\$250	\$410	\$410	\$410
BEP3/DWR3	\$140	\$175	\$175	\$175	\$175	
TUK	N/A	N/A	\$75	\$75	\$75	